



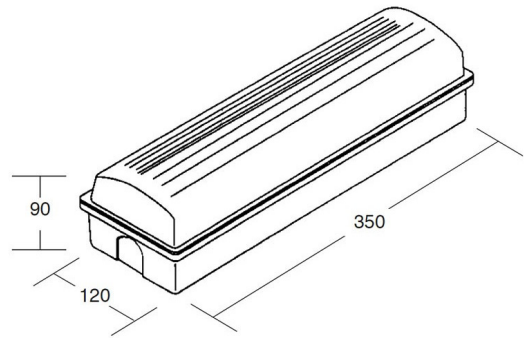
Brick LED

Surface mounted LED emergency bulkhead, polycarbonate construction.

Maintained or non-maintained operation.

Colour:
Output:
Circuit Wattage:
IP Rating:
Driver:

White.
150lm
3W
IP65.
Electronic.



To specify choose one entry from each column, e.g. "BL E3 94 840 WH" (option columns may be omitted if not required)

Name	Feature	Option	Emergency Option	Output (lm)	Colour Temp	Trim
BL (Brick LED)	-	M (Maintained) NM (Non-Maintained)	E3 ED3 (DALI EM)	150	-	WH (White)