

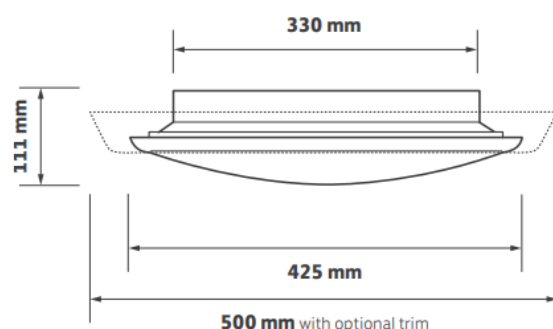


Circo

Professional LED Bulkhead with Tridonic CLE module.
 Ceiling or wall mounted, designed for areas with long operating hours. Ideal for public and commercial applications, leisure, and care home facilities.
 Opal polycarbonate diffuser to minimise glare and LED spotting. LED life up to 50,000 hours (L70) at 35°C ambient temperature. IP20 rated.

Made in the UK.

Trim Options:	White Gloss. Chrome. Brushed Aluminium. No Trim
Output Light Engine 1 (LE1):	1927lm (15.7W, 3000K), 2017lm (15.7W, 4000K),
Output Light Engine 2 (LE2):	2624lm (20.2W, 3000K), 2746lm (20.2W, 4000K).
Colour Temperature:	3000K, 4000K.
Circuit Wattage:	15.7W, 20.2W.
LED Life:	50,000 Hours.
Luminous Flux Maintenance:	L70/ F10.
Construction:	Aluminium / Steel.
IP Rating:	IP20.
Driver:	Electronic/DALI.



To specify choose one entry from each column below, e.g. "CRC ST E3 LE1 830 WH" (option columns may be omitted if not required)

Name	Feature	Option	Emergency Option	Output	Colour Temp	Trim
CRC (Circo)	ST (Standard)	-	E3	LE1 (15.7W)	830	WH (White Gloss)
	SEO (Sensor on/off)		E3ST (Self Test)	LE2 (20.2W)	840	AL (Aluminium)
	SED (Sensor Dim)		ED3 (DALI)			CH (Chrome)
						NT (No Trim)