



Eclipse Lantern

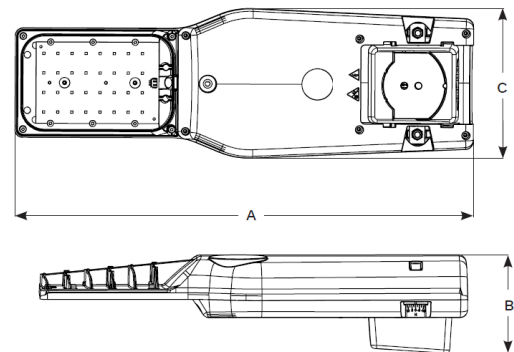
The Eclipse Lantern is a robust, universal luminaire which can be used to provide street and area lighting.

The Eclipse can be provided with DALI or photocell control to maximise energy savings throughout the luminaire's life.

Colour: Light Grey.
 Output: L1 5500lm, L2 9000lm, L3 21600lm.
 Wattage: L1 44W, L2 76W, L3 172W.
 Colour Temperature: 4000K.

Construction: Die-cast Aluminium.
 IP Rating: IP66.
 Driver: Electronic, DALI.

Weight: L1 3.6Kg, L2 4.8Kg, L3 6Kg.
 Mounting: Side-Entry: Ø32mm with accessory or Ø42-Ø60mm.
 Post-top: Ø60mm or Ø76mm.



	A	B	C
L1	513mm	130mm	191mm
L2	585mm	130mm	191mm
L3	550mm	130mm	277mm



To specify choose one entry from each column below, e.g. "EC DD L1 840 GR" (option columns may be omitted if not required)

Name	Feature	Option	Emergency Option	Light Engine	Colour Temp	Trim
EC	PC (Photocell) DD (DALI) HF	-	-	L1 L2 L3	840	GR (Grey)