



ExoCase Max

The ExoCase Max is a square floodlight for outdoor installation on a façade/ wall. The ExoCase Max can also be supplied as with an optional extended fixing bracket (short and medium brackets supplied as standard) The ExoCase Max is constructed from die-cast, powder coated aluminium and features a tempered safety glass, silicone gasket & stainless-steel screws.

Colour Options

Output:

Wattage:

Efficacy:

Construction:

IP Rating:

Driver:

Textured Grey, Matt White, Matt Black.

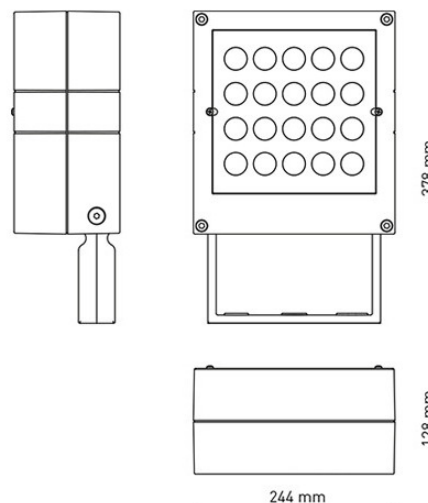
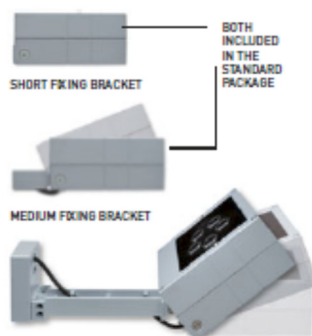
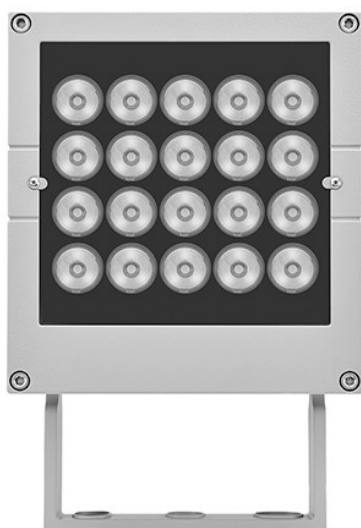
2800lm (830, 10°), 2736lm (830, 30°), 2600lm (830, 45°),
3000lm (830, 10°), 2850lm (840, 30°), 2708lm (840, 45°)
30w.

86–100 lm/w.

Aluminium body.

IP65.

Electronic/ DALI.



To specify choose one entry from each column, e.g. "ECMX HF GS 01 SL" (option columns may be omitted if not required)

Name	Option	Accessory	Output (lm)	Trim
ECMX (ExoCase Max)	HF	EXT (Extended Fixing Bracket)	01 - 2880lm (10°, 3000K)	WH (Matt White)
	DD (DALI)		02 - 2736lm (30°, 3000K)	BK (Matt Black)
			03 - 2600lm (45°, 3000K)	TG (Textured Grey)
			04 - 3000lm (10°, 4000K)	
			05 - 2850lm (30°, 4000K)	
			06 - 2708lm (45°, 4000K)	