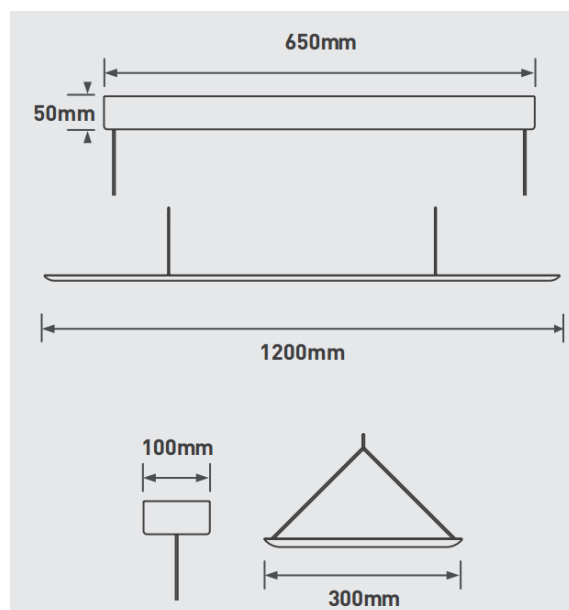
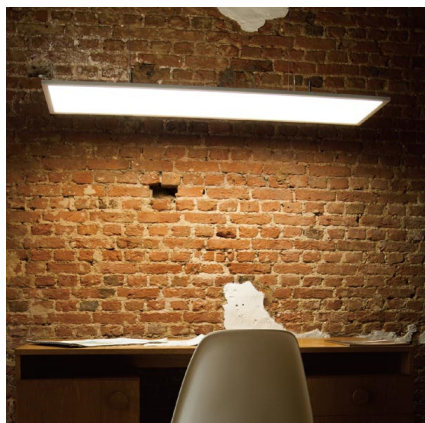




Glass

The Glass is a suspended LED panel which features a unique transparent design. The luminaire panel appears completely see through until the light is energised at which point the entire panel becomes illuminated providing direct and indirect light.

LED Colour: 4000K.
 LED output: 4200lm.
 CRI: >80.
 Driver: Dimmable available.



To specify choose one entry from each column, e.g. "GL DM EM 42 840" (option columns may be omitted if not required)

Name	Feature	Option	Emergency Option	Wattage	Colour Temp	Trim
GL (Glass)		DM (Dimmable) HF (HF)	EM	42 (42W)	840	-