



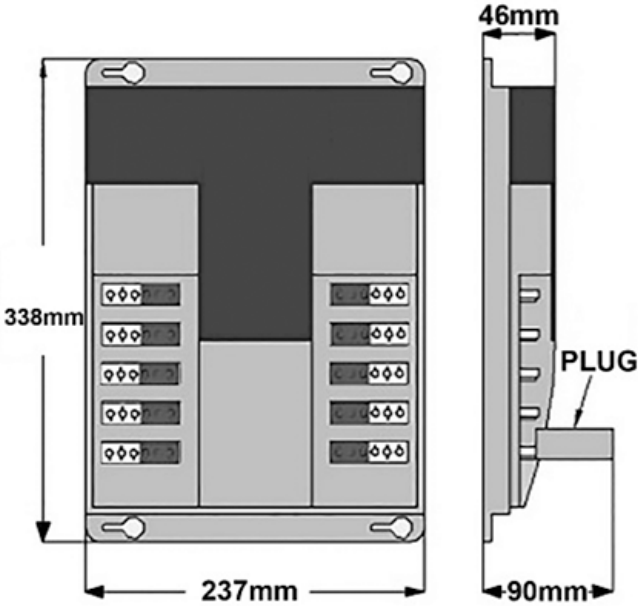
LCMDS

The LCMDS is a DALI slave which can control up to 10 channels and is used in conjunction with our LCM DALI controllers.

Integral emergency relay. Flame retardant ABS construction.

Colour:
Luminaire Outputs:
Maximum Accessories:
Construction:
Power Consumption:
Load, Per Channel:
Load, Total Max:

Blue and Black.
10x 6-pole sockets.
15 per master or slave.
ABS.
Off load 1.2w, Full load 2.2w.
6A.
10A.



To specify use part number "LCMDS".