



Linear Line

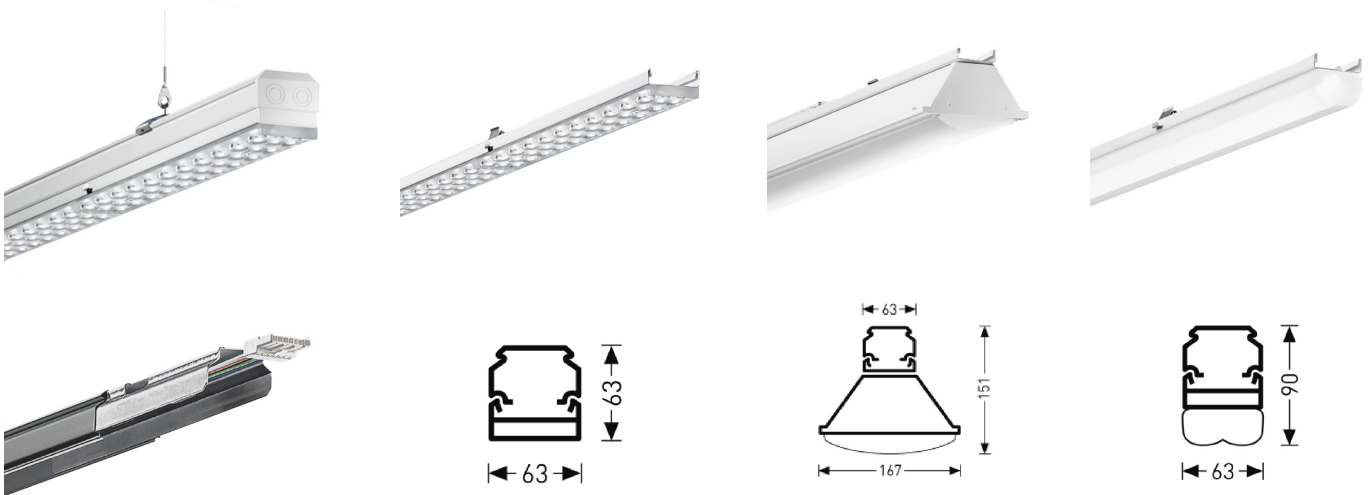
The Linear Line range offers a continuous line system that is flexible enough to fulfil a wide range of lighting tasks in the industrial and retail sectors.

The Linear Line includes both the body section and selected lens. To order without the body section include option 'NB' in the part number.

Dimensions:
Lens Types:

Circuit Wattage:
Output:
Efficacy:
Construction:
Trim Options:
IP Rating:
Driver:

1475mm x 63mm + Lens Dimensions.
Diffused Narrow, Narrow-Wide, Wide and Double Asymmetrical.
Prismatic IP54 or Translucent PMMA.
Diffused: 36w, Prismatic 87w or Translucent 32w.
Diffused: 4100lm, Prismatic: 7700lm or Translucent: 4000lm.
Diffused: 114, Prismatic: 89 or Translucent: 125 LL/CW.
Steel.
White or Silver-Grey.
Diffused and Translucent: IP20 or Prismatic: IP54.
Electronic/DALI.



To specify choose one entry from each column below, e.g. "LLLDW D WH"

Name	Option	Emergency Option	Output (lm)	Colour Temp	Trim
LLLDW (Diffused Wide Lens)	D (Dimmable)	EM			WH (White)
LLLDNW (Diffused Narrow Wide Lens)	NB (No Body)	EMS (Self Test)			SG (Silver-Grey)
LLLDN (Diffused Narrow Lens)		EMD (DALI)			
LLLDA (Diffused Asymmetrical Lens)					
LLLPR (Prismatic Lens)					
LLLTR (Translucent Lens)					