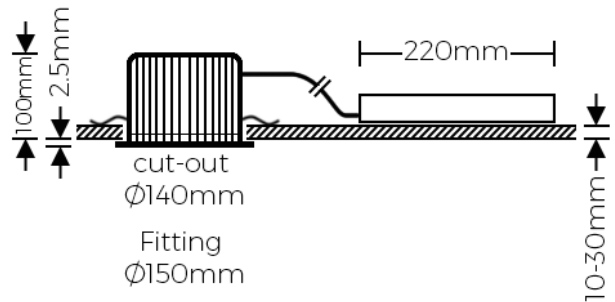




# Master 1800

Ceiling recessed with high performance aluminium reflector. Die cast aluminium construction. Matt white finish. Dali/Self test options emergency available. CRI >80.

Trim Options:	White
Output:	1800 lm.
Circuit Wattage:	16w.
Efficacy 4000K:	113 LL/CW
Construction:	Aluminium
IP Rating:	IP20
Driver:	Electronic/DALI



To specify choose one entry from each column below, e.g. "MA 1800 EMD 1800 840 WH" (option columns may be omitted if not required)

Name	Feature	Option	Emergency Option	Output (lm)	Colour Temp	Trim
MA (Master)	1800 (Model)		EM EMS (Self Test) EMD (DALI)	1800	840	WH (White)