



# Midi Surface. Smooth & Sparkle

Professional LED surface can with satin etched reflector. Ideal for applications with restricted access or no ceiling void.

Utilising the Philips Fortimo DLM Flex system. Integral emergency and dimming options. Alternative colour combinations available on request. Over 3000 lumen output. Life 60,000 hours (L70) at 35°C (>3000lm 25°C) ambient temperature

Trim Options:

Output:

Circuit

Wattage:

Efficacy 4000K:

Efficacy 3000K:

Construction:

IP Rating:

Driver:

White, Black, Grey

850lm, 1500lm, 2300lm, 3800lm

11w (850lm 830). 12w (850lm 840). 19w (1500lm 840).

21w (1500lm 830). 28w (2300lm 840). 30w (2300lm 830).

46w (3800lm 840). 50w (3800lm 830).

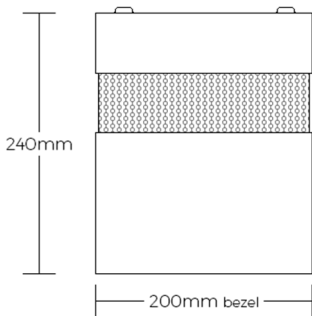
76.5 (850lm). 79.8 (1500lm). 81.7 (2300). 82.1 (3800) LL/CW

69.5 (850lm). 72.9 (1500lm). 75.0 (2300). 75.3 (3800) LL/CW

Aluminium / Steel

IP20

Electronic/DALI



To specify choose one entry from each column below, e.g. "MS SM FH EM 2300 840 BK" (option columns may be omitted if not required)

Name	Feature	Option	Emergency Option	Output (lm)	Colour Temp	Trim
MS (Midi Surface)	SM (Smooth) SP (Sparkle)	BH (Blue Halo) FH (Frosted Halo)	EM	850	830	BK (Black)
			EMS (Self Test)	1500	840	WH (White)
			EMD (DALI)	2300		GR (Grey)
				3800		