



Midi

Ceiling recessed LED downlight designed to offer exceptional performance and flexibility. The Midi features a highly effective heatsink and the reflector ensures a high lumen output.

Features a range of interchangeable bezels to suit any application or aesthetic.

Colour:
Light Source:
Output:
Wattage:

Driver:
IP Rating:

White Trim as standard.
LED.
See overleaf.
See overleaf.

HF, DALI.
IP20 (IP54/65 options available)



Matt Reflector – RF01



Faceted Reflector – RF02



Specular Reflector – RF01

*See accessories page for bezels and optional attachments
To specify choose one entry from each column below, e.g. "xxx" (option columns may be omitted if not required)
Add 'AT' after bezel colour choice for Anti-Tamper screw option

Name	Driver	Reflector	Bezel*	Attachment*	Emergency Option	Output (lm)	Colour Temp
MD (Midi)	HF	RF01	BZ01	AC01	E3	LE1	830
		DALI	RF02	BZ02		AC02	
	RF03		BZ03	AC03	LE3		
			AC04	LE4			
	AC05						
	AC06						
	AC07						
	AC08						
	AC09						
	AC10						
	AC11						
	AC12						
	AC13						
	AC14						
	AC15						
	AC16						
	AC17						
	AC18						

Midi

Light Engine 1 3000K

Reflector	Wattage(W)	Lumens(lm)	Efficacy (Llm/cW)	Colour Temperature
Matt Reflector – RF01		1009	105.2	
Faceted Reflector – RF02	9.6	1079	112	3000K
Specular Reflector – RF03		988	104	

Light Engine 1 4000K

Reflector	Wattage(W)	Lumens(lm)	Efficacy (Llm/cW)	Colour Temperature
Matt Reflector – RF01		1090	112	
Faceted Reflector – RF02	9.7	1165	120	4000K
Specular Reflector – RF03		1078	111	

Light Engine 2 3000K

Reflector	Wattage(W)	Lumens(lm)	Efficacy (Llm/cW)	Colour Temperature
Matt Reflector – RF01		1743	100	
Faceted Reflector – RF02	17.4	1864	106.9	3000K
Specular Reflector – RF03		1723	98.9	

Light Engine 2 4000K

Reflector	Wattage(W)	Lumens(lm)	Efficacy (Llm/cW)	Colour Temperature
Matt Reflector – RF01		1889	108.4	
Faceted Reflector – RF02	17.4	2019	116	4000K
Specular Reflector – RF03		1867	107	

Light Engine 3 3000K

Reflector	Wattage(W)	Lumens(lm)	Efficacy (Llm/cW)	Colour Temperature
Matt Reflector – RF01		2675	88.2	
Faceted Reflector – RF02	30.3	2860	94.2	3000K
Specular Reflector – RF03		2645	87.1	

Light Engine 3 4000K

Reflector	Wattage(W)	Lumens(lm)	Efficacy (Llm/cW)	Colour Temperature
Matt Reflector – RF01		2902	95.3	
Faceted Reflector – RF02	30.5	3102	101.8	4000K
Specular Reflector – RF03		2869	94.2	

Light Engine 4 3000K

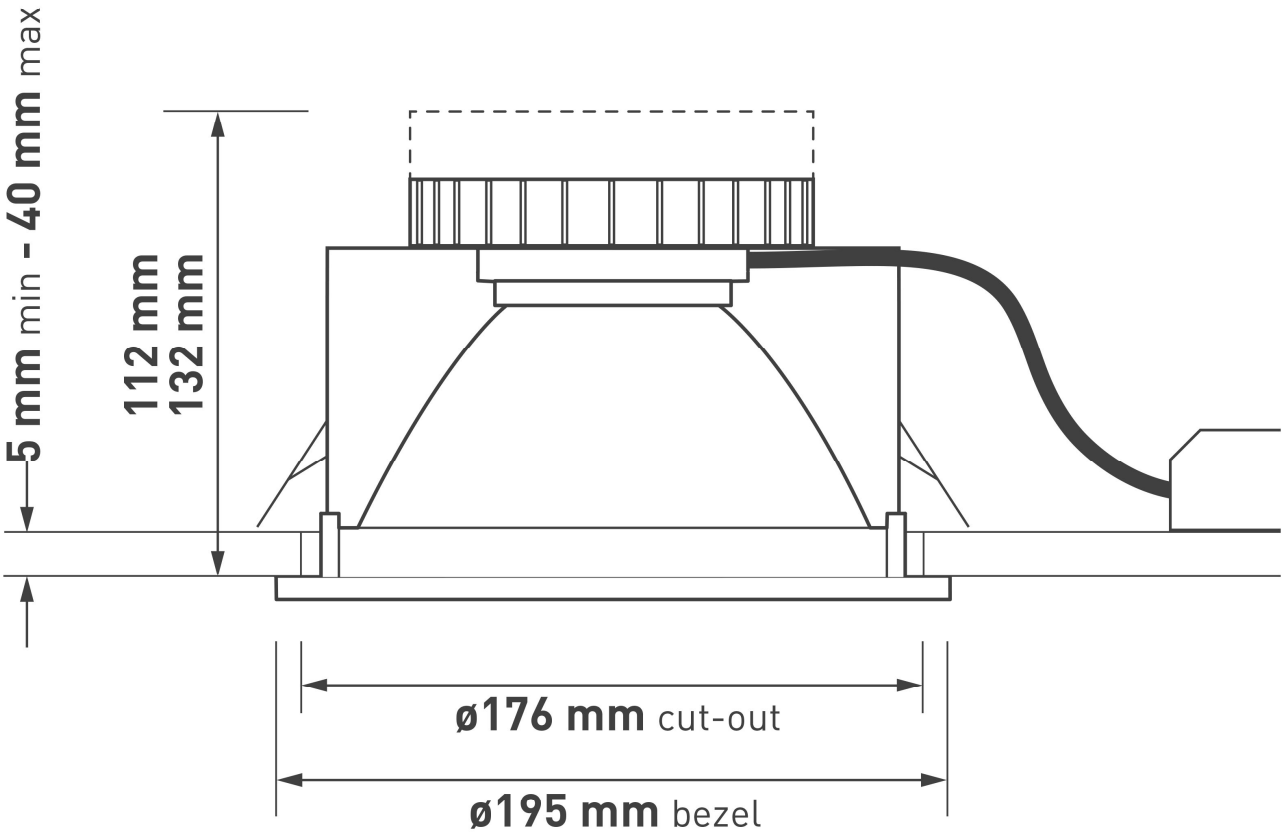
Reflector	Wattage(W)	Lumens(lm)	Efficacy (Llm/cW)	Colour Temperature
Matt Reflector – RF01		4177	89.9	
Faceted Reflector – RF02	46.5	4465	96	3000K
Specular Reflector – RF03		4129	89	

Light Engine 4 4000K

Reflector	Wattage(W)	Lumens(lm)	Efficacy (Llm/cW)	Colour Temperature
Matt Reflector – RF01		4532	97	
Faceted Reflector – RF02	46.6	4845	104	4000K
Specular Reflector – RF03		4480	96.2	

Midi

Dimensions

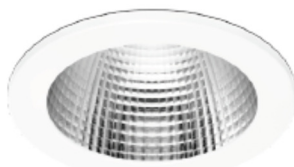


Midi

Accessories



RF01 – Etched reflector



RF02 – Faceted reflector



RF03 – Specular reflector



BZ01 – White bezel



BZ02 – Chrome bezel



BZ03 – Brushed aluminium bezel



AC01 – Outer edge drop glass



AC02 – Clear drop glass



AC03 – Centre etched drop glass



AC04 – Clear halo



AC05 – Etched halo



AC06 – IP65 clear glass



AC07 – IP65 opal polycarbonate cover



AC08 – Black drop accessory



AC08 – Frosted drop accessory