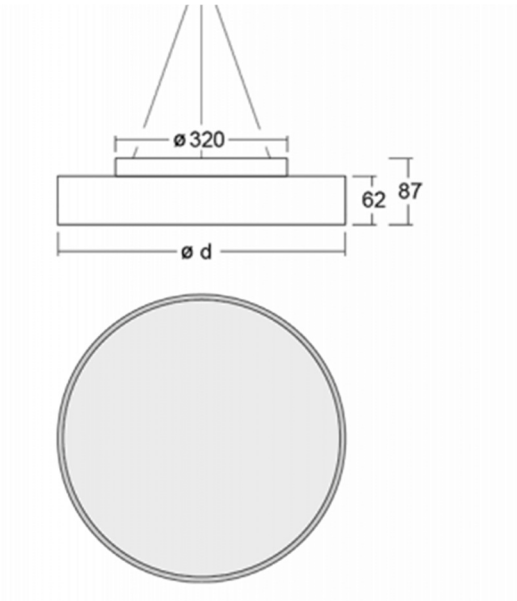




Round 500

The Round is a suspended LED luminaire with direct/ indirect light output and a 500mm diameter. Featuring a micro-prismatic optics system, 5190lm output and 3000K or 4000K colour temperature. Constructed from aluminium.

Diameter:	Ø500mm.
Lumens:	5190lm.
Wattage	37W.
Efficacy:	140lm/cW
Colour Temp:	3000K, 4000K.
Body finish:	White, Black, Silver.
Control Gear:	HF, DALI.



To specify choose one entry from each column below, e.g. "RND 500 DD ED3 830 WH" (option columns may be omitted if not required)

Name	Size (mm)	Option	Emergency Option	Output	Colour Temp	Trim
RND (Round)	500	HF	E3	840	840	WH (White)
		DD (DALI)	ED3 (DALI EM)	830	830	SL (Silver)
						BK (Black)