



SlimLine LED Batten

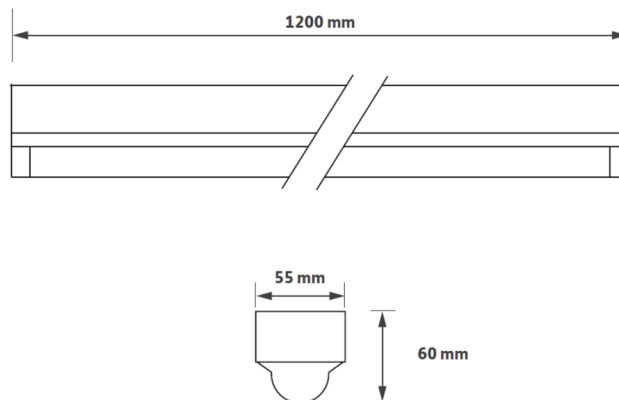
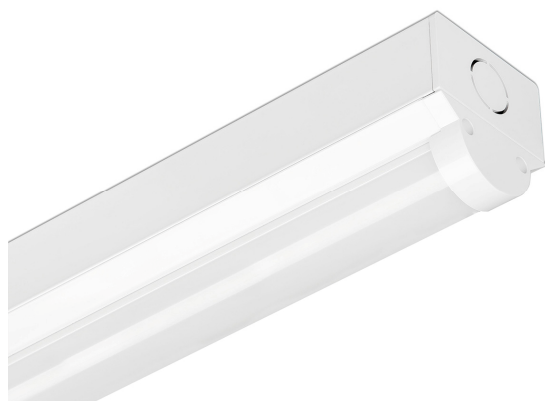
The SlimLine LED batten utilises Tridonic control gear to achieve 3300lm output with an efficacy of 124lm/tcW. The lumen maintenance of the luminaire is L7/B50 @ 50,000 hours.

The SlimLine LED body and gear tray are constructed from aluminium and the diffuser is opal polycarbonate.

The body of the luminaire features BESA & conduit entry points.

Made in the UK.

Colour:	White.
Delivered Lumens:	3300lm.
Wattage:	26.5W.
Efficacy:	124lm/tcW.
Colour Temperature:	4000K.
Construction:	Aluminium.
Optic:	Opal polycarbonate.
Driver:	Electronic/DALI Ballast.
Emergency Option:	3-hour emergency.



Name	Feature	Option	Emergency Option	Output (lm.)	Option	Trim
SLB	-	HF DALI	E3	3300	-	WH (White)