



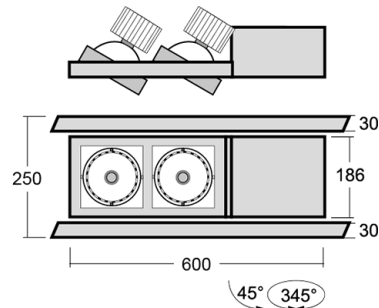
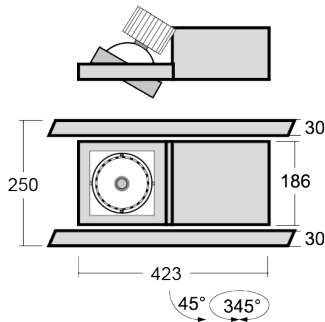
System 2 Spot and Flood

The System 2 modular system of pendant light fixtures consists of steel profiles, which utilise both traditional and LED light sources. They can be either suspended or surface mounted.

Ideally suited to office areas and public spaces, the System 2 is available in a variety of sizes.

Dimensions:
 Circuit Wattage:
 Output 3000K:
 Output 4000K:
 Efficacy 3000K:
 Efficacy 4000K:
 Construction:
 Trim Options:
 IP Rating:
 Driver:

Single: 423mm or Dual: 600mm x 250mm x 140mm.
 Single: 1x13w or Dual: 2x13w. LED.
 Single: 1190lm or Dual: 2x1190lm.
 Single: 1240lm or Dual: 2x1240lm.
 Single: 91.5 or Dual: 95.4 LL/CW.
 Single: 91.5 or Dual: 95.4 LL/CW.
 Steel.
 White, Grey or Black.
 IP20.
 Electronic/DALI.



To specify choose one entry from each column below, e.g. "SYS2D 600 EMS 840 GY"

Name	Length (mm)	Option	Emergency Option	Output (lm)	Colour Temp	Trim
SYS2S (Single)	423		EM	830	830	WH (White)
SYS2D (Dual)	600		EMS (Self Test)	840	840	GY (Grey)
			EMD (DALI)			BL (Black)