



Mini Profile 13

Aluminium Recessed profile with a very slim form factor. The width of the profile is only 9.6mm wide with a height of 15mm.

The Mini profile is designed to be recessed into surfaces such as wood to create a clean, unbroken line of light. The snap-fit base makes the profile incredibly simple to install.

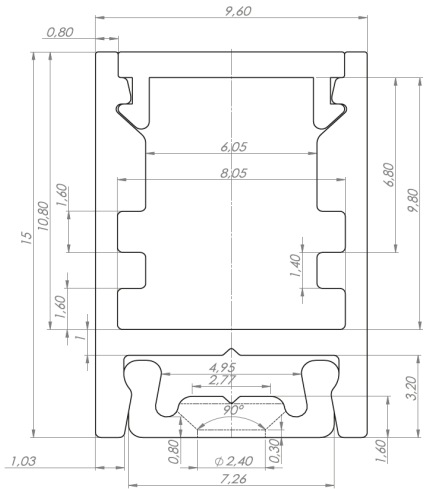
Supplied with special slim LED modules which can be cut every 46mm.

Length (Profile Only):
Output:

1m, 2m, 3m
828lm (2700K), 885lm (3000K), 948lm (4000K),
1023lm (5000K).

Circuit Wattage:
Construction:
Driver:

9w/M.
Aluminium
HF, DALI



To specify use part numbers e.g. MP13 OP 920mm 82 27"

Name	Option	Length	Output (lm)	Colour Temp	Trim
MP13 (Mini Profile 13)	OP (Opal)	Xmm (specify desired length,	82 (828lm)	27 (2700K)	-
		PCBs come in	88 (885lm)	30 (3000K)	
		46mm lengths)	94 (948lm)	40 (4000K)	
			10 (1023lm)	50 (5000K)	