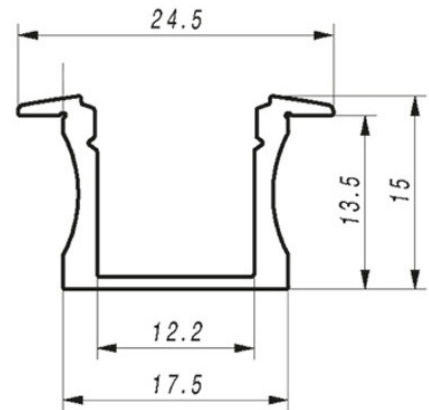
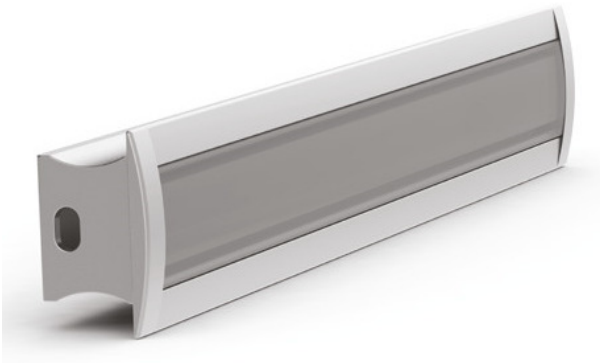




Mini Profile 1

Aluminium profile designed for use with our range of flexible and rigid LED strip. The Mini Profile 1 features a 15mm height and a choice of frosted, semi-frosted and transparent polycarbonate diffusers. Suitable for LED strips up to 12mm in width. Available in 1m, 2m & 3m lengths. Ideal for recessing into kitchen cabinets or retail spaces or for use as accent lighting recessed into the floor.

Length:	1.0m, 2.0m, 3.0m
Output:	n/a
Circuit Wattage:	n/a
Efficacy:	n/a
Construction:	Aluminium
Driver:	n/a



To specify use part number: "MP1-FR-001"

Name	Option	Emergency Option	Output (lm)	Colour Temp	Length
MP1 (Mini Profile 1)	FR (Frosted Cover)	-	-	-	001 (1m)
	SF (Semi-Frosted Cover)	-	-	-	002 (2m)
	T (Transparent Cover)	-	-	-	003 (3m)