

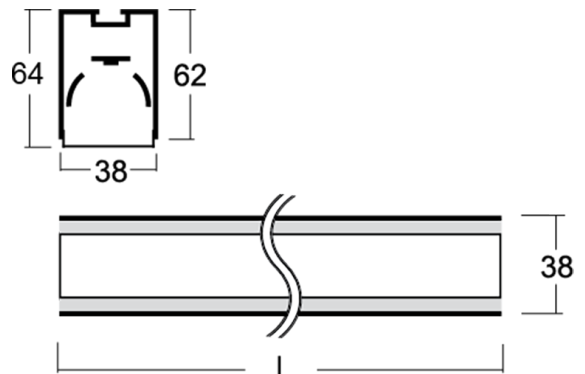
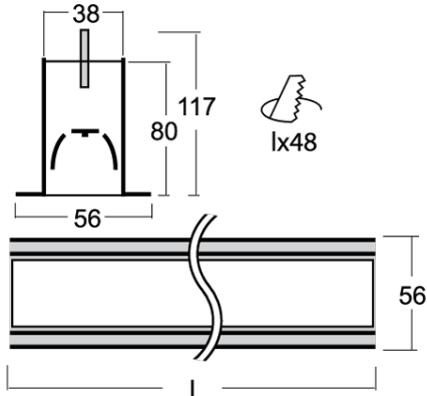


# Profile I

The Profile I range is available in both surface mount and recessed versions and can be connected together to form straight lines or shapes.

Both recessed and surface mount versions are available in various lengths.

Length: 562, 1122, 1682 or 2242mm.  
 Trim Options: White, Black or Anodised Aluminium.  
 Circuit Wattage: 562: 13w, 1122: 26w, 1682: 39w or 2242: 52w.  
 Output 3000K: 562: 728lm, 1122: 1456lm, 1682: 2184lm or 2242: 2912lm.  
 Output 4000K: 562: 754lm, 1122: 1508lm, 1682: 2262lm or 2242: 3016lm.  
 Efficacy: All Lengths: 56 (830), 58 (840) LL/CW.  
 Construction: Aluminium.  
 IP Rating: IP40.  
 Driver: Electronic/DALI.



To specify choose one entry from each column below, e.g. "PISU 1220 840 AN"

Name	Length (mm)	Option	Emergency Option	Output (lm)	Colour Temp	Trim
PISU (Surface)	562		EM	830	830	WH (White)
PIRE (Recessed)	1122		EMS (Self Test)	840	840	BK (Black)
	1682		EMD (DALI)			AN (Anodised)
	2242					